

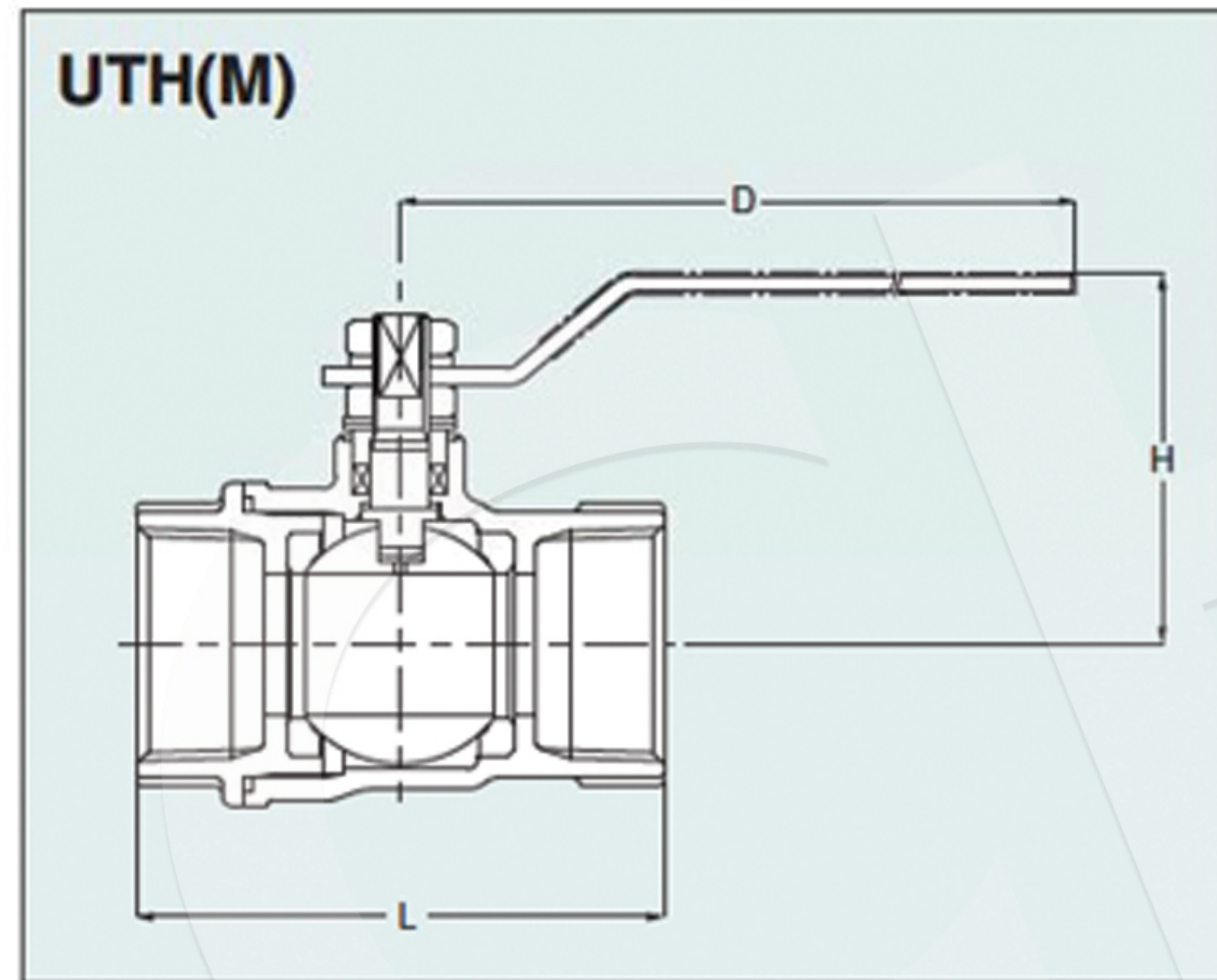
Type 800 Stainless Steel Ball Valves

Reduced bore, Split body design, Threaded ends

Page 102 for Pressure-Temperature Ratings.

Features

- Blowout-proof stem
- Choice of threaded ends:
 - Rc threads to JIS B0203 (BS 21) (Fig. UTHM)
 - NPT threads to ASME B1.20.1 (Fig. AKUTHM)



Materials

Parts	Materials
Body	A351 Gr.CF8 (A351 Gr.CF8M)
Body cap	A351 Gr.CF8 (A351 Gr.CF8M)
Ball	A276 Type 304 or A351 Gr.CF8 (A276 Type 316* or A351 Gr.CF8M*)
Stem	A276 Type 316 or 304
Seat	PTFE
Gland packing	PTFE
Handle	Plastic covered S.S.

End to end dimensions: KITZ standard
*CF8M/316 are available for (M).

Dimensions of UTH(M)

Unit: mm

Nominal Size	NPS	1/2	3/4	1	1 1/4	1 1/2	2
	DN	15	20	25	32	40	50
Ball bore		10	15	20	25	32	40
L		60	70	80	95	108	124
H		49	54	64	68	79	85
D		100	100	130	130	150	150

Valve operator
Lever operation